



## **KITA LR / LR Plus**

High-efficiency reversible air-to-water heat pump

<b>Full load performance calculated according to UNI EN 14511</b>	<b>LR 35</b>	<b>LR 35 Cold</b>	<b>LR Plus 45</b>
<b>A7/W35</b>			
Heating capacity [kW]	34,80	35,42	48,67
COP [-]	4,50	4,62	4,58
Power input [kW]	7,73	7,67	10,63
Power regulation [kW]	17.90 - 34.80	21.59 - 35.42	21.52 - 48.67
<b>A2/W35</b>			
Heating capacity [kW]	33,17	36,34	45,59
COP [-]	3,94	3,93	4,01
Power input [kW]	8,42	9,25	11,37
Power regulation [kW]	18.59 - 33.17	22.17 - 36.34	22.17 - 45.59
<b>A-7/W35</b>			
Heating capacity [kW]	28,76	33,11	41,95
COP [-]	3,17	3,10	3,37
Power input [kW]	9,07	10,68	12,45
Power regulation [kW]	18.59 - 28.76	21.95 - 33.11	21.95 - 41.95
<b>A7/W55</b>			
Heating capacity [kW]	34,84	34,81	44,97
COP [-]	3,04	3,12	2,75
Power input [kW]	11,46	11,16	16,35
Power regulation [kW]	17.02 - 34.84	21.35 - 34.81	21.29 - 44.97
<b>A2/W55</b>			
Heating capacity [kW]	32,80	35,51	42,55
COP [-]	2,71	3,12	2,43
Power input [kW]	12,10	11,38	17,51
Power regulation [kW]	17.02 - 32.80	22.11 - 35.51	22.11 - 42.55
<b>A-7/W55</b>			
Heating capacity [kW]	27,38	31,68	39,20
COP [-]	2,23	2,21	2,04
Power input [kW]	12,28	14,33	19,22
Power regulation [kW]	18.53 - 27.38	22.37 - 31.68	22.37 - 39.20

<b>Heating performance data according to EN14825 (average climate)</b>	<b>LR 35</b>	<b>LR 35 Cold</b>	<b>LR Plus 45</b>
<b>Nominal heating capacity [kW]</b>			
Seasonal Energy Efficiency $\eta_s$ [%]	32,59	38,25	47,26
Seasonal Coefficient of Performance (SCOP)	198,1	189,5	195
Medium Temperature Applications (W55)	5,03	4,81	4,95
<b>Nominal heating capacity [kW]</b>			
Seasonal Energy Efficiency $\eta_s$ [%]	31,03	36,66	44,10
Seasonal Coefficient of Performance (SCOP)	148,8	148,3	148,8
Seasonal Coefficient of Performance (SCOP)	3,79	3,78	3,79

<b>Energy Efficiency Class according to EU Regulation 813/2013 (Heating, Average Climate)</b>	<b>LR 35</b>	<b>LR 35 Cold</b>	<b>LR Plus 45</b>
Low-temperature applications (W35)	A+++	A+++	A+++
Applicazioni a bassa temperatura (W55)	A+++	A+++	A+++

<b>Cooling Capacity Data according to EN14511</b>	<b>LR 35</b>	<b>LR 35 Cold</b>	<b>LR Plus 45</b>
<b>A35/W7</b>			
Heating capacity [kW]	30,60	30,09	38,00
EER [-]	3,12	3,39	2,47
Power input [kW]	9,81	8,88	15,38
Power regulation [kW]	9.86 - 30.60	14.67 - 30.09	18.26 - 38.00
<b>A35/W18</b>			
Heating capacity [kW]	32,00	32,00	39,00
EER [-]	4,70	5,03	4,12
Power input [kW]	6,81	6,36	9,47
Power regulation [kW]	13.93 - 32.00	20.01 - 32.00	25.05 - 39.00

<b>Operating range</b>	<b>LR 35</b>	<b>LR 35 Cold</b>	<b>LR Plus 45</b>
Outdoor Air Temperature [°C]	-22 / 46	-22 / 46	-22 / 46
Heating Water Flow Temperature [°C]	10 / 65	10 / 65	10 / 65
Cooling Water Flow Temperature [°C]	5 / 25	5 / 25	5 / 25

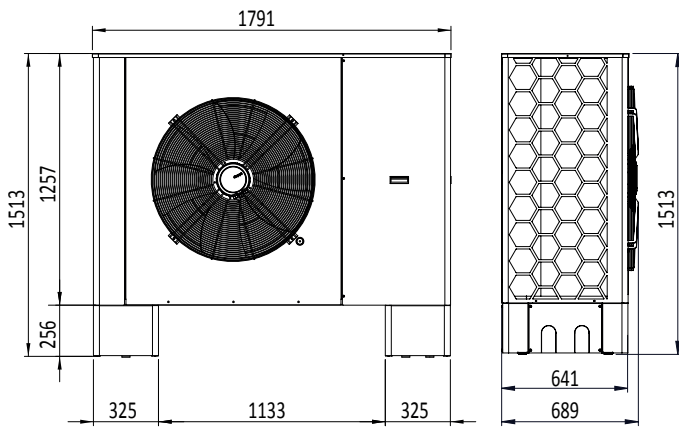
<b>Sound power</b>	<b>LR 35</b>	<b>LR 35 Cold</b>	<b>LR Plus 45</b>
Outdoor Sound Power Level ErP [dB]	61,00	61,00	61,00
Maximum Outdoor Sound Power Level [dB]	65,95	65,95	66,10

<b>Outdoor Fan</b>	<b>LR 35</b>	<b>LR 35 Cold</b>	<b>LR Plus 45</b>
Nominal Air Flow Rate [m³/h]	17203	17203	18040
Maximum Speed [rpm]	640	640	640

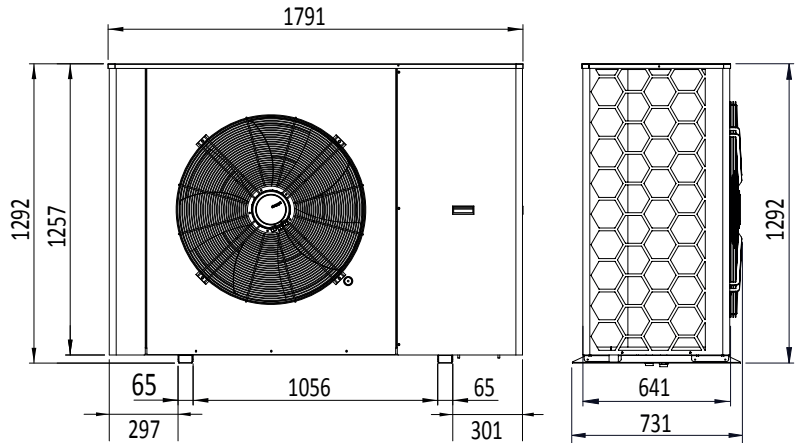
<b>Water circuit</b>	<b>LR 35</b>	<b>LR 35 Cold</b>	<b>LR Plus 45</b>
Alarm Flow Rate Threshold (L/min)	54	54	70
Recommended Minimum Flow Rate (L/min)	80	80	100
Nominal water flow rate A7/W35 T=5K (L/min)	100	100	129
Meter size flow meter	DN25	DN25	DN25
Maximum Pressure [bar]	2,5	2,5	2,5

<b>Electric Data</b>	<b>LR 35</b>	<b>LR 35 Cold</b>	<b>LR Plus 45</b>
Power supply (V/Ph/Hz)	400 V 3ph		
Power Input [kW]	10,84	12,47	19,26
Inverter (A)	38		145
Miniature Circuit Breaker(A)	40		50
Residual current device (mA)	30		
Cable Cross-Section in mm² (for lengths up to 5 m)	5x16		

### DIMENSIONS WITH LEGS LR



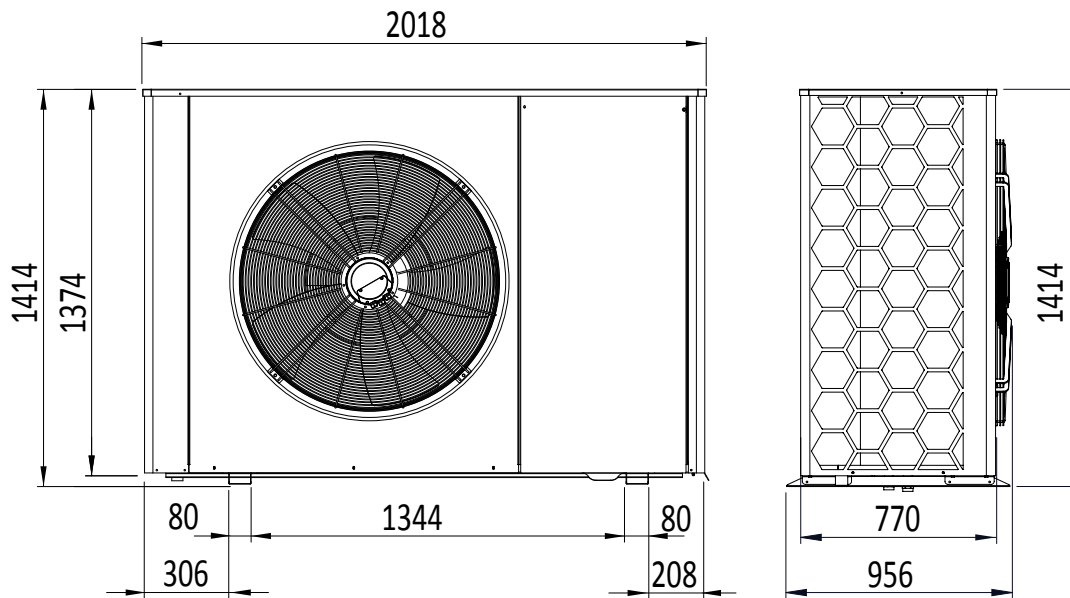
### DIMENSIONS WITH BRACKETS LR



**Dimensions:** 1257 mm (H) x 1791 mm (L) x 641 mm (P)

**Peso:** 280 Kg

### DIMENSIONS WITH BRACKETS LR-PLUS



**Dimensions:** 1414 mm (H) x 2018 mm (L) x 956 mm (P)

**Peso:** 320 Kg