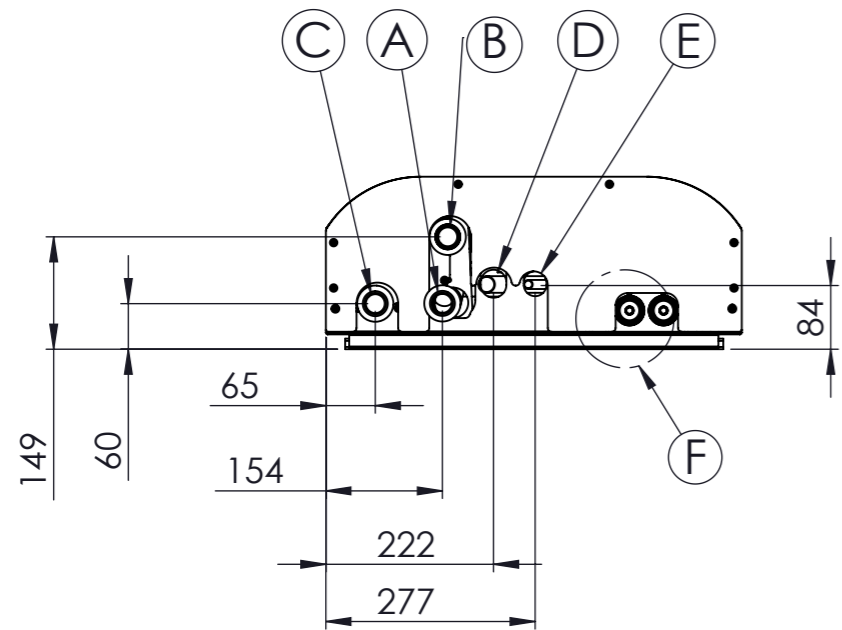
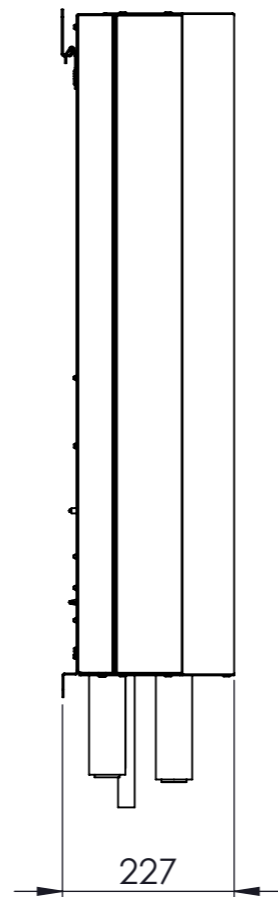
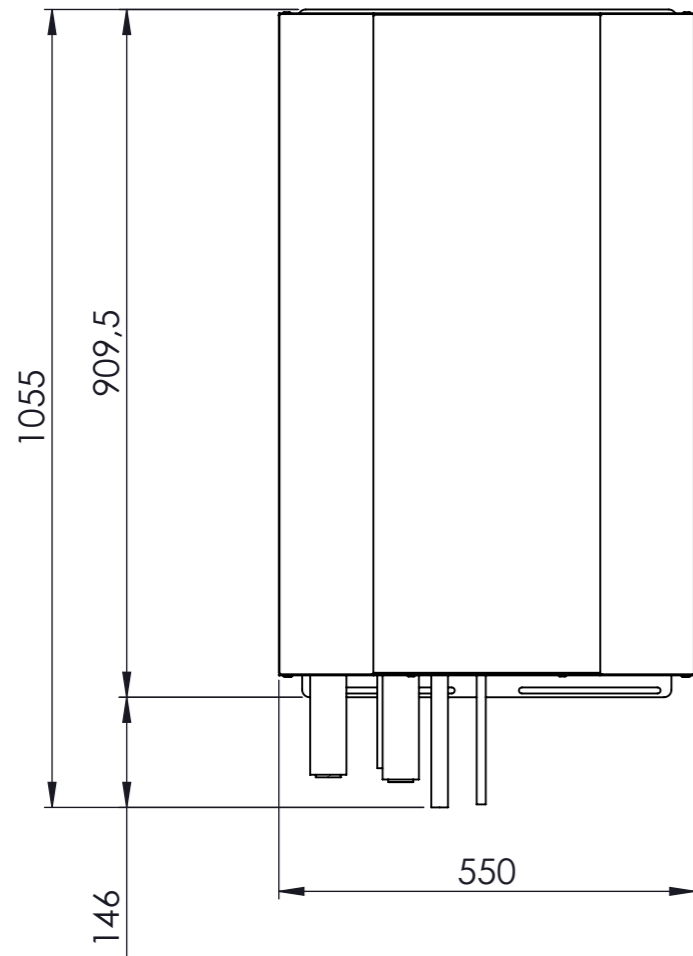
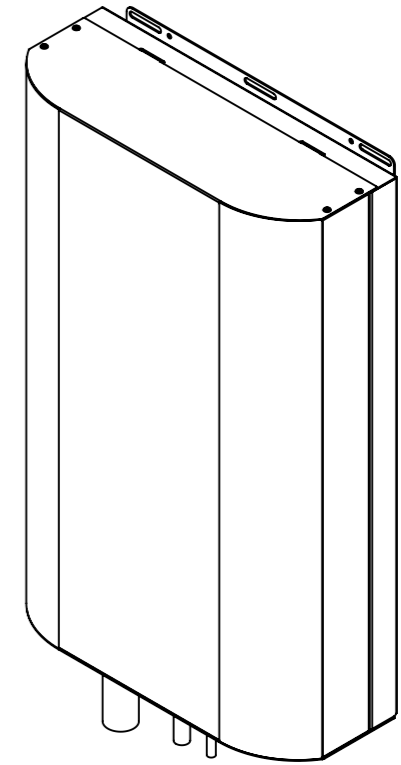
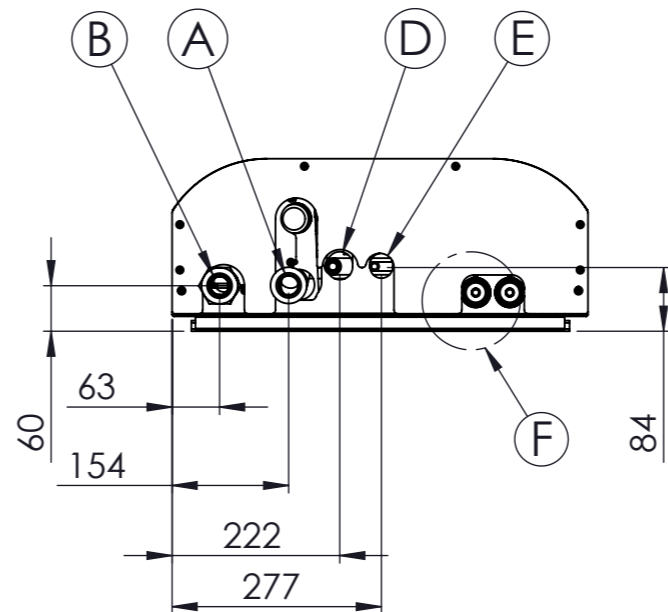


WITH DHW
CON ACS



WITHOUT DHW
SENZA ACS



- Ⓐ water inlet / *ingresso acqua*
connection / *raccordo*: ϕ 1"
- Ⓑ water outlet (plant) / *uscita acqua (impianto)*
connection / *raccordo*: ϕ 1"
- Ⓒ water outlet (DHW) / *uscita acqua (ACS)*
connection / *raccordo*: ϕ 1"
- Ⓓ gas flow / *passaggio refrigerante (gas)*
outer diameter / *diametro esterno*: 12 mm
- Ⓔ liquid flow / *passaggio refrigerante (liquido)*
outer diameter / *diametro esterno*: 10 mm
- Ⓕ electrical wiring / *passaggio cavi elettrici*



TEMPLARI SRL - HEAT PUMP TECHNOLOGY
Via Pitagora, 20A - 35030 Rubano (PD)
Tel. +39 049 5225929 - www.templari.com

DESCRIPTION:

KITA S

INTERNAL UNIT
UNITA' INTERNA
INNENEINHEIT

DRAWN BY: G. Bacca

DATE: 17/03/2021